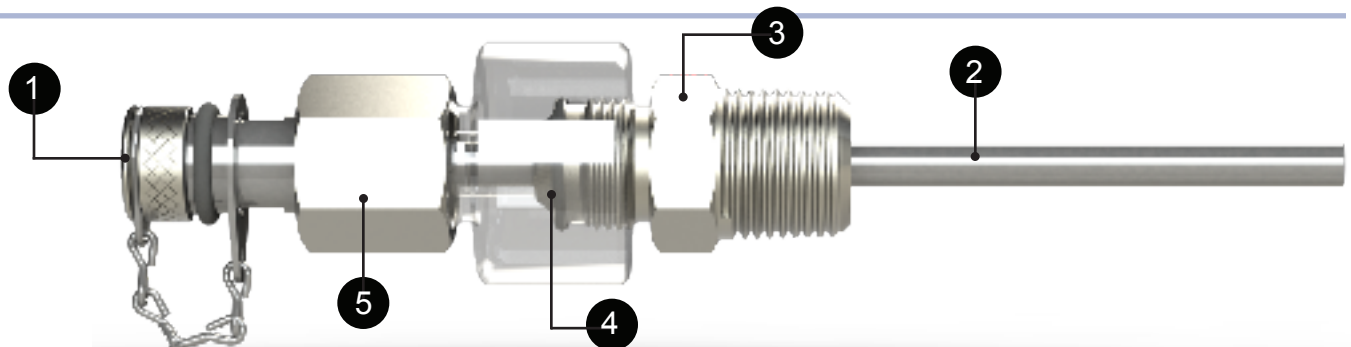


# LTJ Sight

The LTJ Sampling Tube makes gearbox sampling simple. All that is needed for installation is a port and standard -8 JIC Flare fitting. Once installed, the tube can be positioned to draw oil directly from the active zone while the equipment is running, leading to more reliable, trendable, and repeatable samples.

The 3D Sight Glass option makes it possible to complete quick preventative maintenance inspections for oil level and oil coloration. The sampling tube can be used in a mid sight level port, with the tube pointing down, or in a bottom drain mounted port, with the tube pointing up.



## Features

1. High flow flushface valve is designed to be able to sample high viscosity gear oils up to VG 1500
2. Sampling tube draws only oil from the active zone
3. JIC style offers one less connection point- use a -8 JIC Flare standard fitting for port installation
4. 3D Sight Glass offers visual inspections for oil level and oil coloration
5. Swivel feature allows for bending and positioning of the tube to draw from the active zone

## Specifications

Sampling Pressure	0 - 65 psi (0 - 0.46 MPa)
Working Pressure	65 psi (0.46 MPa)
Temperature	-40°C to 95°C (-40°F to 203°F)
Seal Material	Viton (FKM)
Valve Material	Carbon Steel, Stainless Steel
Valve Plating	Zinc Nickel
Sight Glass Material	Acrylic

## Benefits

- Draw only the active oil in gearboxes and reservoirs
- Sample high viscosity gear oils without shutting down
- Samples 7x faster than the B16x2 series
- Zinc nickel based corrosion protection offers 5 - 7x more life than industry standard
- Installs compactly into almost any port without special tools or multiple adapters
- Detect oil levels more accurately and from any angle with the 3D Sight Glass
- 3D Sight Glass provides easy visual for any oil discoloration

## Applications

Gearboxes | Reservoirs

