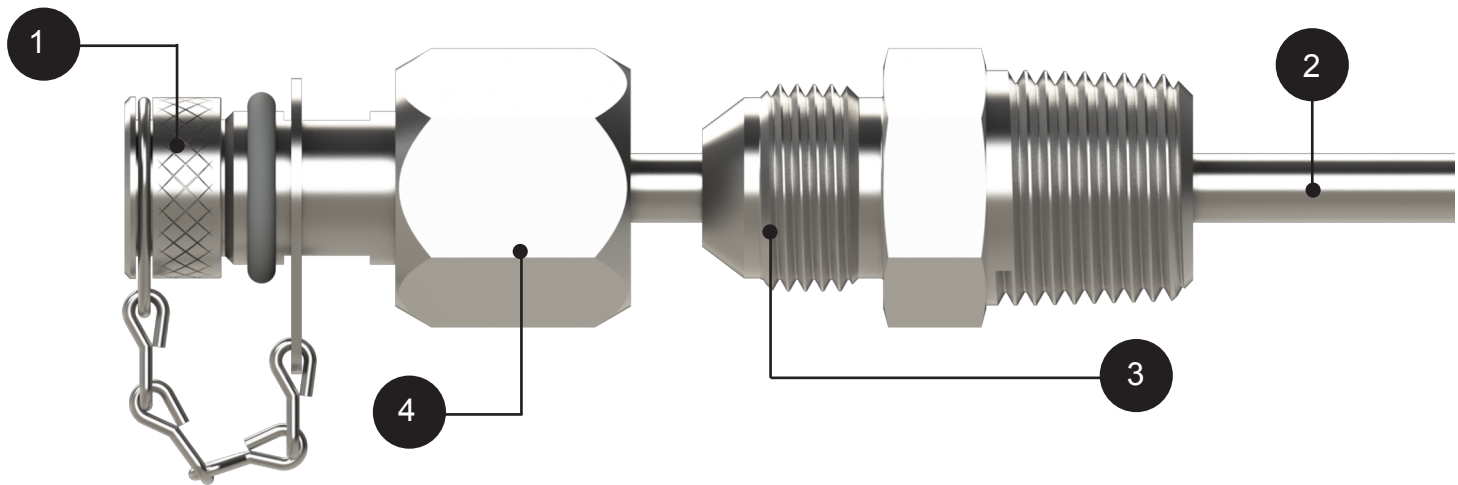


The LTJ Sampling Tube makes gearbox sampling simple. All that is needed for installation is a port and standard -8 JIC Flare fitting. Once installed, the tube can be positioned to draw oil directly from the active zone while the equipment is running, leading to more reliable, trendable, and repeatable samples.



Features

1. High flow flushface valve is designed to be able to sample high viscosity gear oils up to VG 1500
2. Sampling tube draws only oil from the active zone
3. JIC style offers one less connection point- use a -8 JIC Flare standard fitting for port installation
4. Swivel feature allows for bending and positioning of the tube to draw from the active zone

Benefits

- Samples 7x faster than the B16x2 series
- Nickel based corrosion protection offers 5 - 7x more life than industry standard
- Installs compactly into almost any port without special tools or multiple adapters

Applications

Gearboxes | Reservoirs

LTJ Specifications

Sampling Pressure	0 - 125 psi (0 - 0.86 MPa)
Working Pressure	1000 psi (6.89 MPa)
Temperature	-26 to +204°C (-15 to +400°F)
Seal Material	Viton (FKM)
Valve Material	Carbon Steel, Stainless Steel
Valve Plating	Zinc Nickel

